



DATASHEET

EYES

v2.0

1. Datasheet

1.1. Eyes

Camera Characteristics		Unit
Interface	USB-C 3.x	
Image Sensor Technology	Rolling Shutter. Size 1.4 x 1.4	[$\mu\text{m px}$]
RGB Camera Field of View (FOV)	69.4 x 42.5 x 77 (+/- 3)	[$^{\circ}$]
RGB Camera Resolution	1280x720	[px]
Depth Technology	Active IR Stereo	
Depth FOV	65 \pm 2 x 40 \pm 1 x 72 \pm 2	[$^{\circ}$]
Depth Output Resolution	1280 x 720	[px]
Working Distance	400-1000	[mm]
	15.75 - 39.37	[inch]
Operating Temperature	0 – 35	[$^{\circ}\text{C}$]
	32 – 95	[$^{\circ}\text{F}$]
IP Rating	IP 54	
Weight	0.260	[kg]
	0.57	[lb]

Eyes Features		Unit	
Type of vision system	2.5 D		
Minimum workpiece size	10x10 or 15 diameter	[mm]	
	0.39x0.39 or 0.59 diameter	[inch]	
Applications Supported	Detection, Sorting, Inspection, Landmark		
Mounting options supported	Robot and External		
Reconfigurability when Robot mounted	12 configurations (4 x 3)		
	Around robot's flange	Tilt orientations	
	0 - 90 - 180 - 270	0 - 45 - 90	[degrees]
	Processing time	Typical: 0.5 s	
Detection Repeatability	< 2	[mm]	
	< 0.078	[inch]	
Detection Accuracy (typical) measured at 500 mm	External Mount	Robot Mount	
	2	2	[mm]
	0.078	0.078	[inch]

Eyes Features					Unit
Minimum Inspection Defect Size	5				[mm]
	0.197				[inch]
Landmark accuracy**	Waypoint distance from Landmark	Minimum error	Typical error	Maximum error	
	200	0.2635	0.6596	0.9500	[mm]
	7.874	0.0104	0.0260	0.0374	[inch]
	500	0.6586	1.6490	2.3750	[mm]
	19.68	0.0259	0.0649	0.0935	[inch]
	1000	1.3173	3.2981	4.7500	[mm]
	39.37	0.0519	0.1298	0.1870	[inch]

** Depending on the distance from the waypoint (picking point) to Landmark. Obtained using dual capture approach with the camera being 300 mm (11.81 in) above the Landmark.

Application and set-up recommendations	
Lighting conditions	No drastic, instant changes
Reflections and focused light spots	Keep minimal
Characteristics of objects	Different from background
Camera with respect to workspace table	Looking straight to it

Eye Box	
Weight	1.01 kg
	2.23 lb
Required power supply	24V (6.25A)

Power Supply (6.25A/150W)	Min	Typical	Max	Units
Input voltage (AC)	100	-	240	[V]
Input current	-	-	2.1	[A]
Output voltage	-	24	-	[V]
Output current	-	6.25		[A]

Power input (24V connector)	Min	Typical	Max	Units
Supply voltage	-	24	25	[V]
Supply current	-	6.25	-	[A]

Power output (Device connector)	Min	Typical	Max	Units
Output voltage	-	24	25	[V]
Output current (EB HW v1.2)	-	4.5	4.5*	[A]

*Peak currents

Eye Box I/O interface:

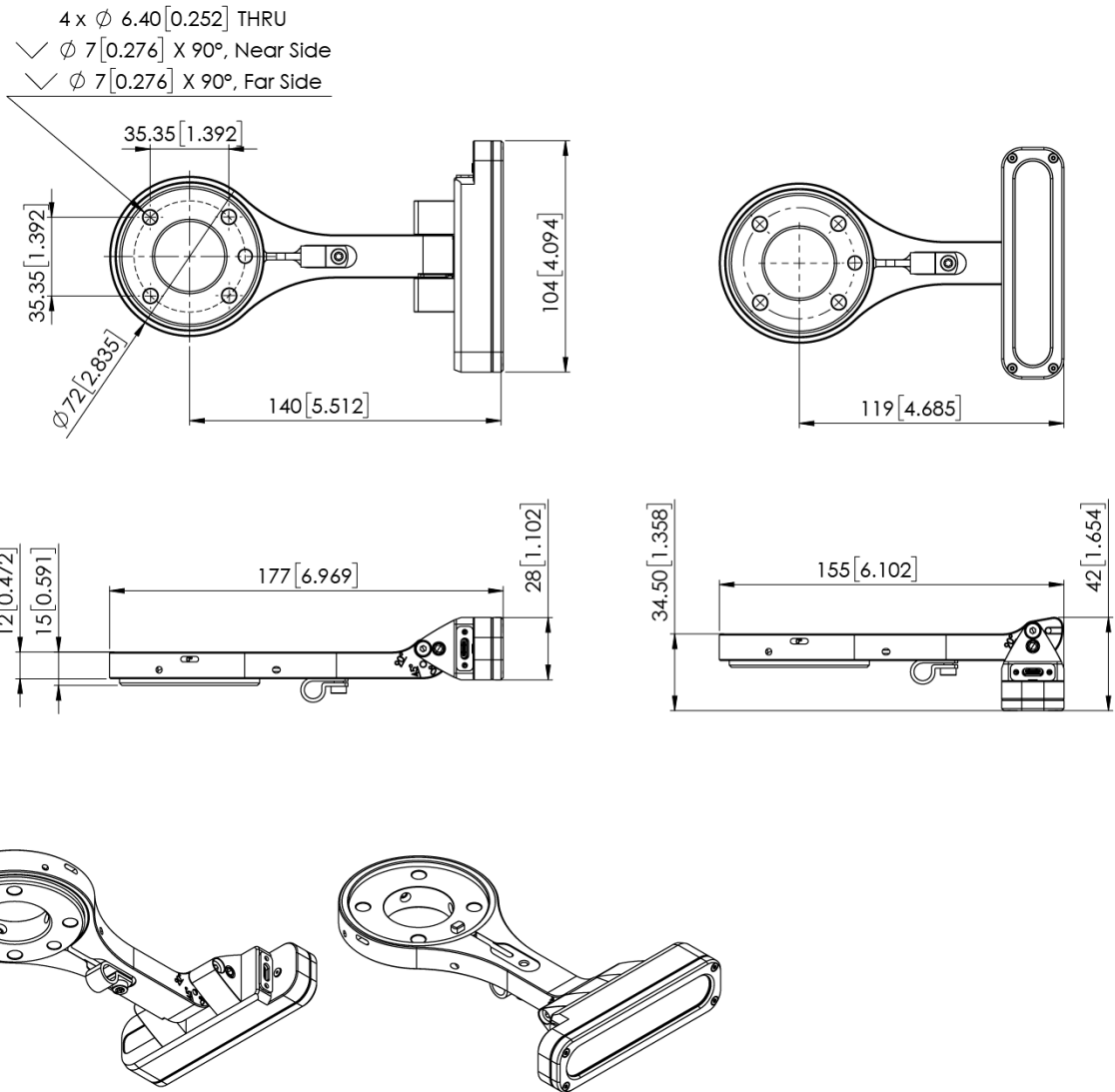
Power Reference (24V, GND)	Min	Typical	Max	Units
Reference output voltage	-	24	25	[V]
Reference output current	-	-	100	[mA]

Digital Output (DO1-DO8)	Min	Typical	Max	Units
Output current - altogether	-	-	100	[mA]
Output resistance (active state)	-	24	-	[Ω]

Digital Input (DI1-DI8) as PNP	Min	Typical	Max	Units
Voltage level - TRUE	18	24	30	[V]
Voltage level - FALSE	-0.5	0	2.5	[V]
Input current	-	-	6	[mA]
Input resistance	-	5	-	[k Ω]

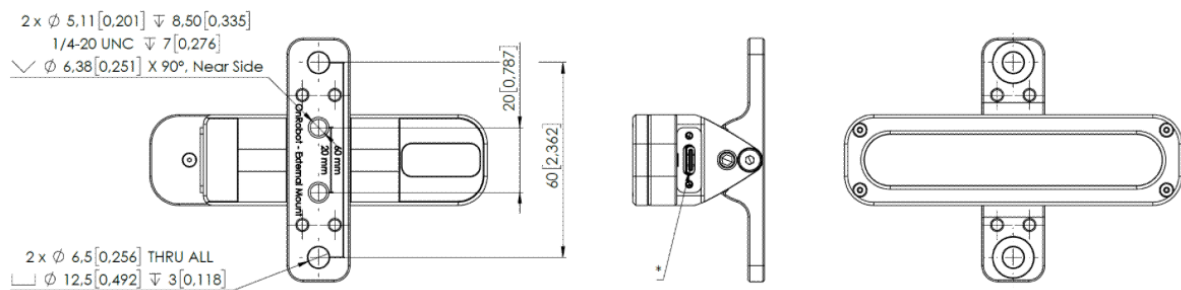
Digital Input (DI1-DI8) as NPN	Min	Typical	Max	Units
Voltage level - TRUE	-0.5	0	5	[V]
Voltage level - FALSE	18	24	30	[V]
Input current	-	-	6	[mA]
Input resistance	-	5	-	[k Ω]

1.2. Robot Mount



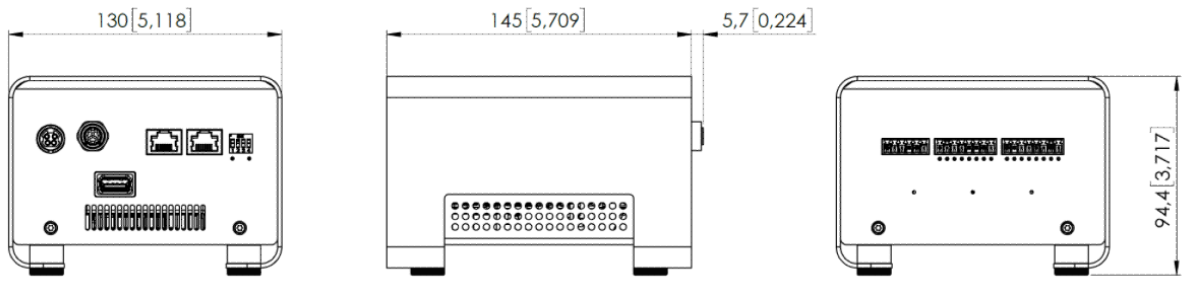
All dimensions are in mm and [inches].

1.3. External Mount



All dimensions are in mm and [inches].

1.4. Eye Box



All dimensions are in mm and [inches].